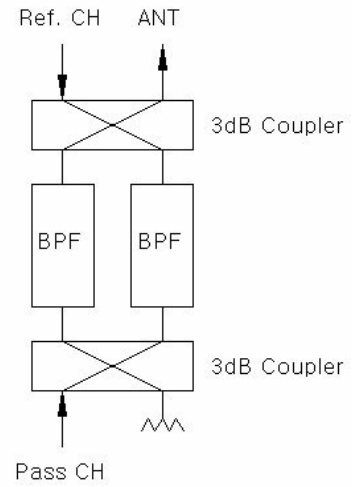


CIB



ITEM	Specifications	
	Adjacent	Non-Adjacent
Insertion Loss (Max.)		
Pass CH Fc	0.8dB	0.5dB
Fc ± 2.79MHz	1.6dB	0.7dB
Ref CH Fc	0.2dB	0.2dB
Fc ± 2.79MHz	1.6dB	0.2dB
VSWR (Max.)	1.1 : 1	
Isolation (Min.)	30dB	
Group Delay (Max.)		
Pass CH	800ns	300ns
Ref. CH	800ns	300ns
Leakage to Dummy (Min.)	14dB	17dB
Operating Temp.	-10 ~ +45	
Input Power (Max.)	100W	